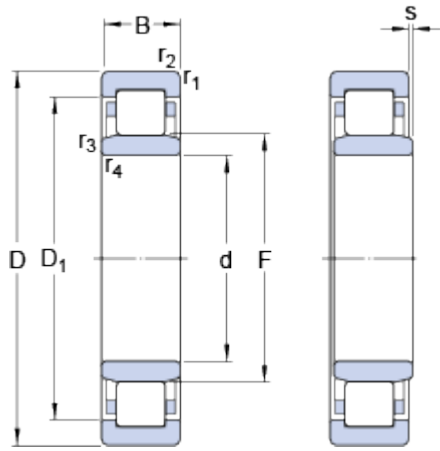


NU 2210 ECJ

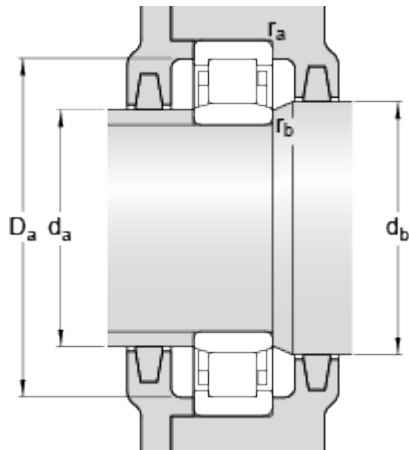
SKF Explorer

Dimensions



| | | | |
|------------------|------|------|----|
| d | | 50 | mm |
| D | | 90 | mm |
| B | | 23 | mm |
| D ₁ | ≈ | 77.4 | mm |
| F | | 59.5 | mm |
| r _{1,2} | min. | 1.1 | mm |
| r _{3,4} | min. | 1.1 | mm |
| s | | 1.5 | mm |

Abutment dimensions



| | | | |
|----------------|------|------|----|
| d _a | min. | 57 | mm |
| d _a | max. | 57.5 | mm |
| d _b | min. | 61 | mm |
| D _a | max. | 82.4 | mm |
| r _a | max. | 1 | mm |
| r _b | max. | 1 | mm |

Calculation data

| | | | |
|---------------------------|----------------|------|-------|
| Basic dynamic load rating | C | 90 | kN |
| Basic static load rating | C ₀ | 88 | kN |
| Fatigue load limit | P _u | 11.4 | kN |
| Reference speed | | 8500 | r/min |
| Limiting speed | | 9000 | r/min |
| Calculation factor | k _r | 0.2 | |

Mass

| | | | |
|--------------|--|-------|----|
| Mass bearing | | 0.572 | kg |
|--------------|--|-------|----|